

TELESPAR® & ANGLE IRON TYPE III BARRICADES



Telespar® Uprights with Telespar® Feet



Telespar® Uprights with Angle Iron Feet



Angle Iron Uprights with Angle Iron Feet

Three Options Available

- Telespar® uprights with Telespar® feet
 - Telespar® uprights with Angle Iron feet
 - Angle Iron uprights with Angle Iron feet
-
- **Telespar®**
 - Square shape provides superior wind load capabilities and inhibits warping
 - Uprights and feet - 14 gauge
 - Galvanized, hot rolled high carbon steel
 - Prepunched universal mounting holes - 7/16" dia.
 - **Angle Iron**
 - Uprights are 10 gauge, galvanized steel
 - Holes for boards - 11/32" dia., holes for lights 9/16" dia.
 - Feet are 10 gauge steel, mill finish
 - Plastic boards available in 4', 6', 8', 10', and 12' lengths
 - Reflective sheeting on one or both sides
 - Quick removal of uprights from feet
 - Allows for short term or permanent placement
 - Easy to assemble and replace parts if necessary
 - Accepts two flashing lights
 - NCHRP-350 Accepted, Meets MUTCD Standards

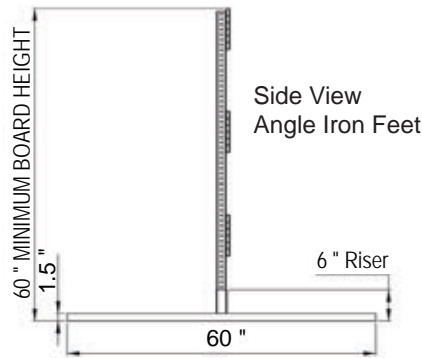
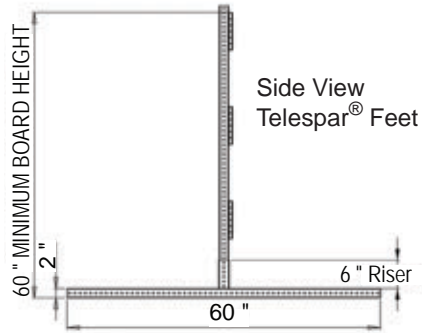
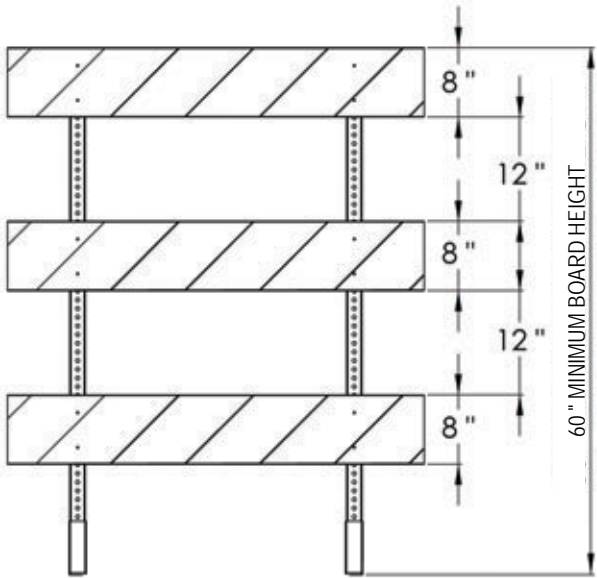
PLASTICADE®

www.plasticade.com

TF016 Rev. 3

TELESPAR® & ANGLE IRON TYPE III BARRICADES

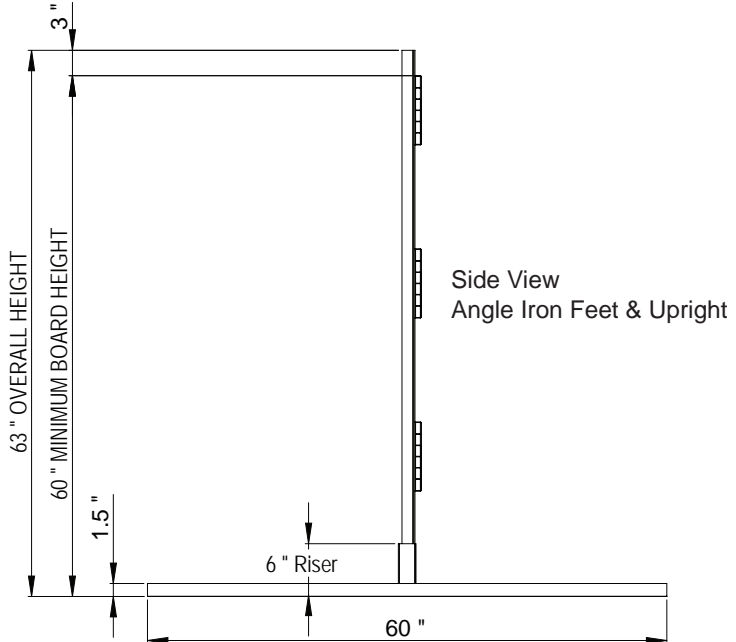
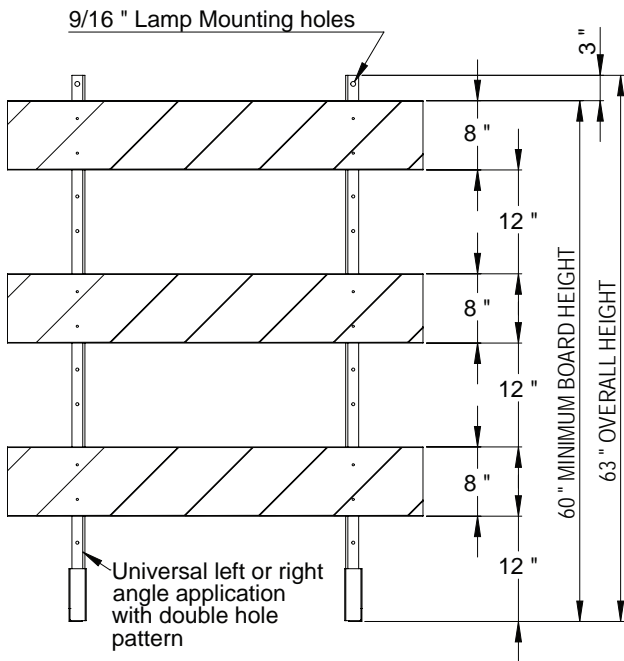
Telespar® Barricade



Specs

Telespar	14 gauge galvanized
Angle Iron Upright	10 gauge galvanized
Angle Iron Feet	10 gauge mill finish
Board Composition	High Density Polyethylene
Available Board Sizes	1" x 8" x 4' 1" x 8" x 6' 1" x 8" x 8' 1" x 8" x 10' 1" x 8" x 12'
Reflective Sheeting	Available in all grades - in left, right, or chevron stripes

Angle Iron Barricade



Telespar® & Angle Iron Barricades are sold in kits with three boards with your choice of sheeting. Sheeting can be on one side of the boards or both. All hardware needed for assembly is included in the kit.

PLASTICADE®

7700 N. Austin Avenue
Skokie, IL 60077
phone (800) 772-0355
fax (847) 966-8074
www.plasticade.com

MADE IN THE USA